

NE4-NO

NE4-NO is a nitrogen monoxide gas sensor. Since the output current is fairly large, it can detect the low concentration of NO with good accuracy. Additionally, as it has very excellent repeatability, long term stability, selectivity and resistivity, it is useful in many applications. By adhering to industry standards for size and connection orientation, the NE4-NO can be retrofitted easily to existing product designs.

• Characteristics

Items	Features
Detection range	NO 0~250ppm
Output current	400±80nA/ppm
Repeatability	Less than ±2%
Detection limit	0.5ppm
Response time	T90 : less than 40sec.
Zero shift on temp.	Less than 4ppm(20~40°C)
Temperature	-20~+50°C
Humidity	15~90%RH

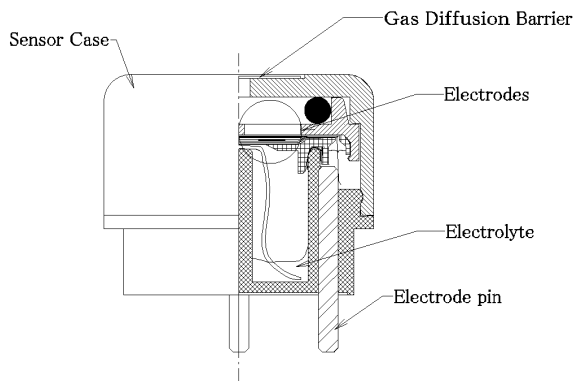
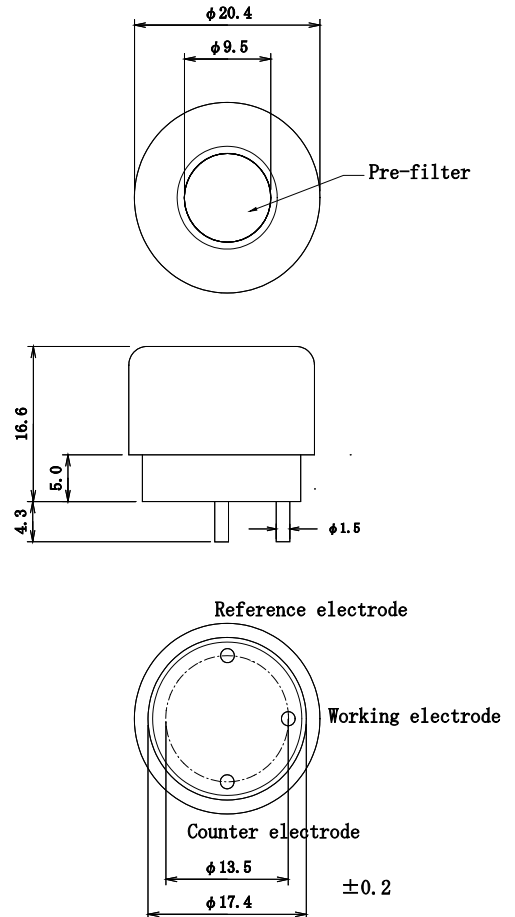


Fig. Structure of NE4-NO Body color (Light violet)

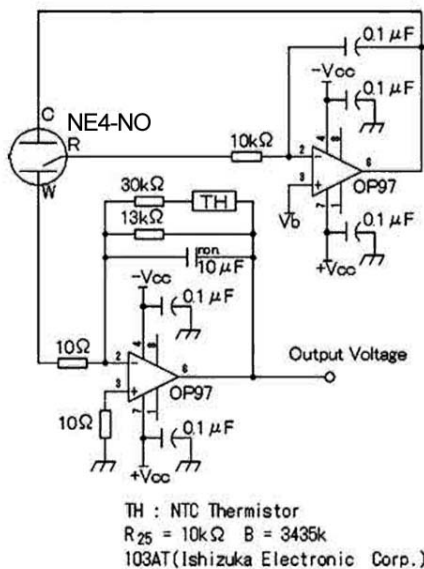


Fig. Recommended circuit diagram

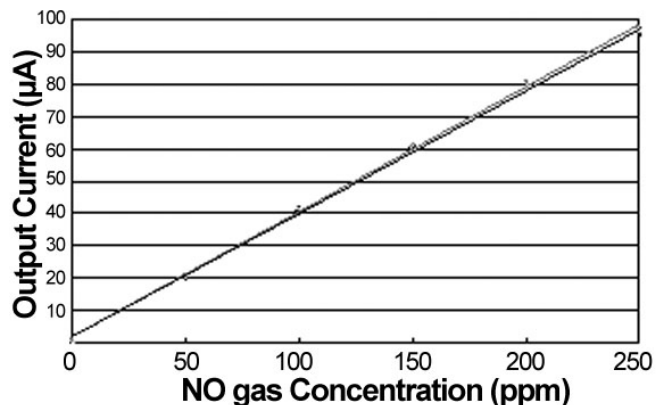


Fig. Gas concentration characteristics