

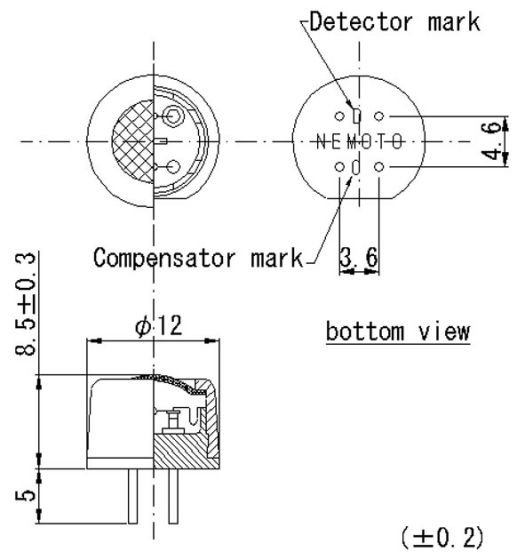
NAP-55A

NAP-55A is a miniature & low power consumption type sensor. NAP-55A is mainly used for gas detectors and leak testers. NAP-55A is a half in height and needs a half in power consumption compared to existing sensor so that thinner and lighter-weight detectors can be produced. The following are the basic characteristics but it is recommended to refer to the individual user's manual for further information. A measuring circuit for sensor evaluation is the same as NAP-66A.

* Target gases and concentration

Gases		Detection range
Methane	CH ₄	0.05 ~ 5% (0.05 ~ 2%)
Propane	C ₃ H ₈	0.03 ~ 2.2% (0.03 ~ 1%)
Iso-butane	Iso-C ₄ H ₁₀	0.03 ~ 1.8% (0.03 ~ 0.8%)
Hydrogen	H ₂	0.05 ~ 4% (0.05 ~ 1.5%)
Ethanol	C ₂ H ₅ OH	0.05 ~ 3.2% (0.05 ~ 1.5%)
Hydrocarbons	C _n H _{2n+2}	1~100%LEL (1~50%LEL)

() is a detection range in high accuracy



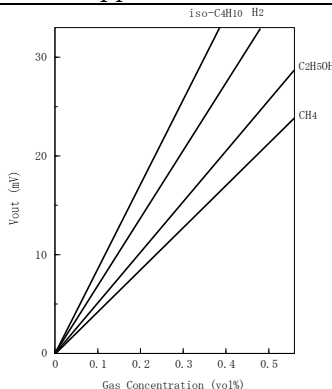
Structure & appearance of NAP-55A

* Ratings

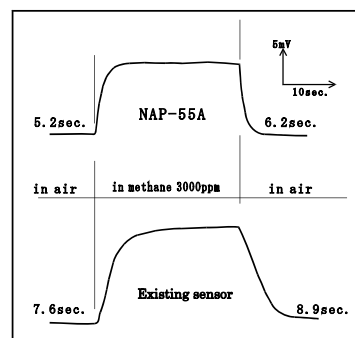
Items	Ratings
Supply Voltage	DC 2.5 ± 0.25V AC 2.5 ± 0.25V (r.m.s. 50~60Hz)
Current (When 2.0V is applied)	DC 150 ~ 170mA AC 150 ~ 170mA (r.m.s. 50~60Hz)
Ambient Temperature	In operation -10 ~ +50°C In storage -10 ~ +50°C
Ambient humidity	In operation 95%RH or less In storage 99%RH or less (No dew condensation)

* Gas sensitivity characteristics

Gases & concentration	Output voltage
Output in clean air	-35 ~ +35mV
Methane 3000ppm	10 ~ 16mV
Iso-butane 1400ppm	10 ~ 15mV
Hydrogen 1400ppm	7 ~ 12mV
Ethanol 1400ppm	Less than 11mV



Gas sensitivity characteristics



Response characteristics