

NE4-Cl₂

NE4-Cl₂ is a chlorine gas sensor. Since the output current is fairly large, it can detect the low concentration of Cl₂ with good accuracy. Additionally, as it has very excellent repeatability, long term stability, selectivity and resistivity, it is useful for the concentration control of Cl₂ at water sterilization. By adhering to industry standards for size and connection orientation, the NE4-Cl₂ can be retrofitted easily to existing product designs.

• Characteristics

Items	Features
Detection range.	Cl ₂ 0~10ppm
Output current	600±150nA/ppm
Repeatability	Less than ±2%
Detection limit	0.1ppm
Response time	T ₉₀ : less than 40sec.
Zero shift on temp.	Less than 0.2ppm(20~40°C)
Temperature	-20~+50°C
Humidity	15~90%RH

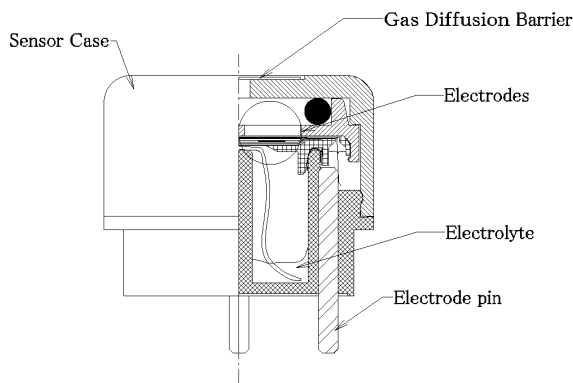
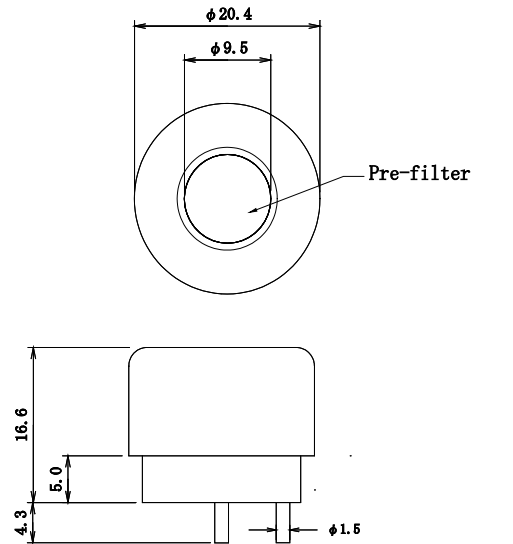


Fig. Structure of NE-Cl₂

Body color (Light yellow)

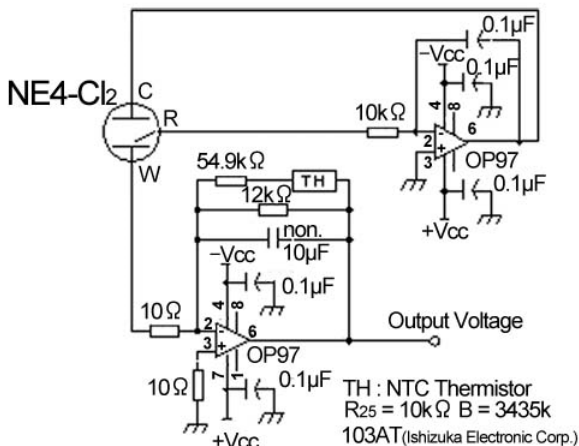


Fig. Recommended circuit diagram

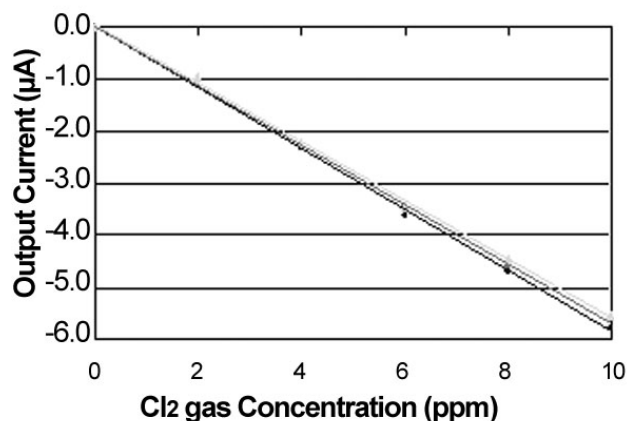


Fig. Gas concentration characteristics